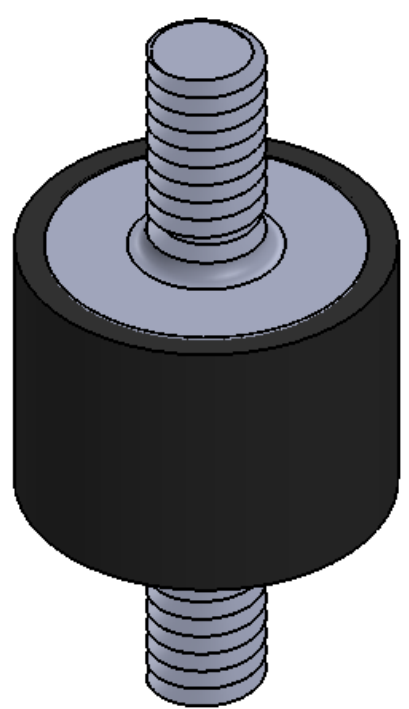
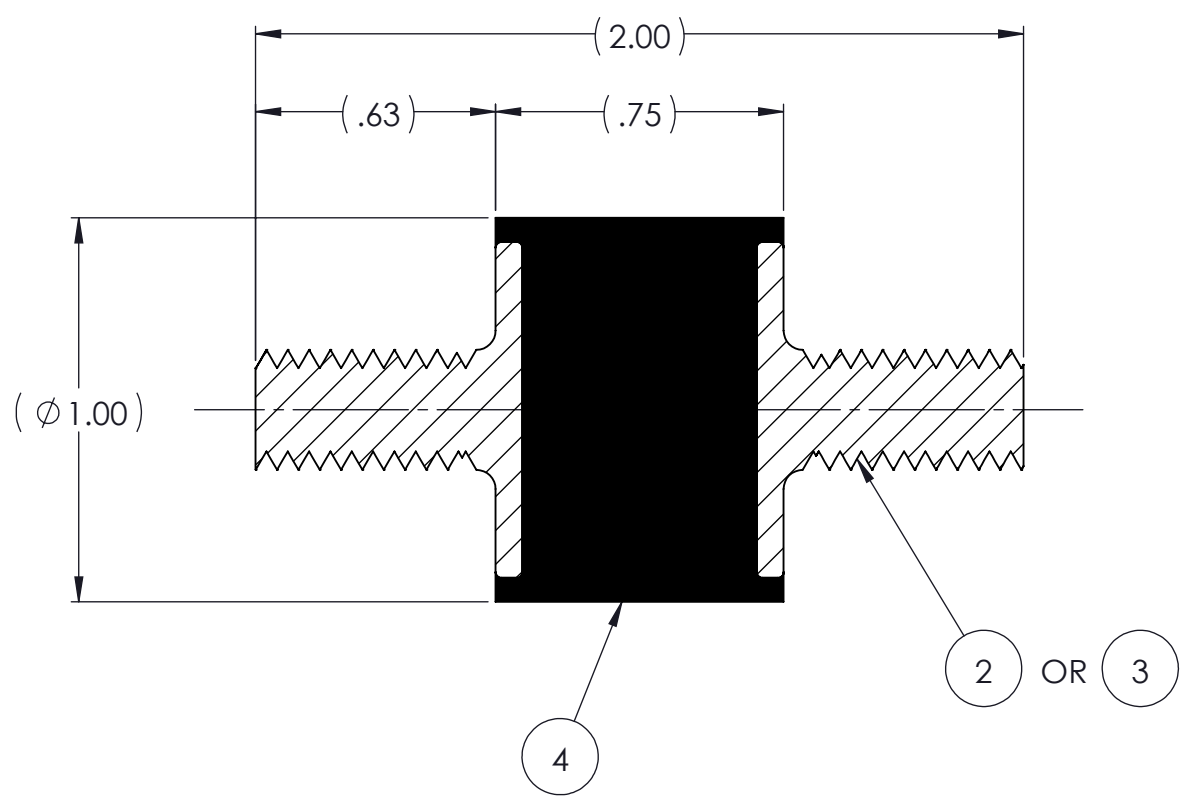
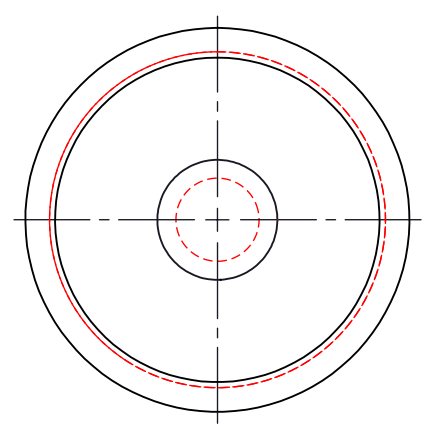


REVISIONS			
REV.	DESCRIPTION	DATE	APPROVED
1	INITIAL RELEASE OF DRAWING	7/23/2014	BS



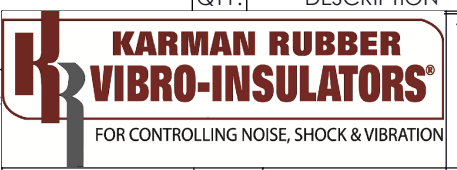
NOTES:

- 1 MATERIAL: ELASTOMER AND DUROMETER OF 40, 50, 60 OR 70 TO BE SPECIFIED.
- 2 ALL DIMENSIONS ARE REFERENCE.
- 3 AVAILABLE WITH THREADS OF 5/16-18 UNC X 5/8" AND M8 X 1.25 X 5/8".

QTY.	DESCRIPTION	PART NUMBER	MATERIAL OR NOTES	ITEM
AR	ELASTOMER	K474-4		4
2	MMK440	MK440		3
2	MK440-M8-5/8	MK440-M8-5/8		2
	K474	K474		1

PROPRIETARY AND CONFIDENTIAL THE INFORMATION CONTAINED IN THIS DRAWING IS THE SOLE PROPERTY OF KARMAN RUBBER. ANY REPRODUCTION IN PART OR AS A WHOLE WITHOUT THE WRITTEN PERMISSION OF KARMAN RUBBER IS PROHIBITED.	SIGNATURE		DATE
	DRAWN	B. SENEAL	07/23/2014
	CHECK	S. BROWN	07/23/2014
	ENGR	B. SENEAL	07/23/2014
	QA		
STRESS			
APPR			

UNLESS OTHERWISE SPECIFIED:  
DIMENSIONS ARE IN INCHES  
TOLERANCES:  
.X =  
.XX = ± 0.031  
.XXX =  
ANGLES = ± 1°  
INTERPRET GEOMETRIC TOLERANCING PER: ASME Y14.5M-1994



TITLE: **K474 SERIES VIBRO-INSULATOR**  
WWW.KARMAN.COM

SIZE	CAGE CODE	DWG. NO.	REV
<b>B</b>		<b>K474</b>	<b>1</b>
DO NOT SCALE DRAWING		SCALE: 2:1	WEIGHT: N/A
		SHEET 1 OF 1	