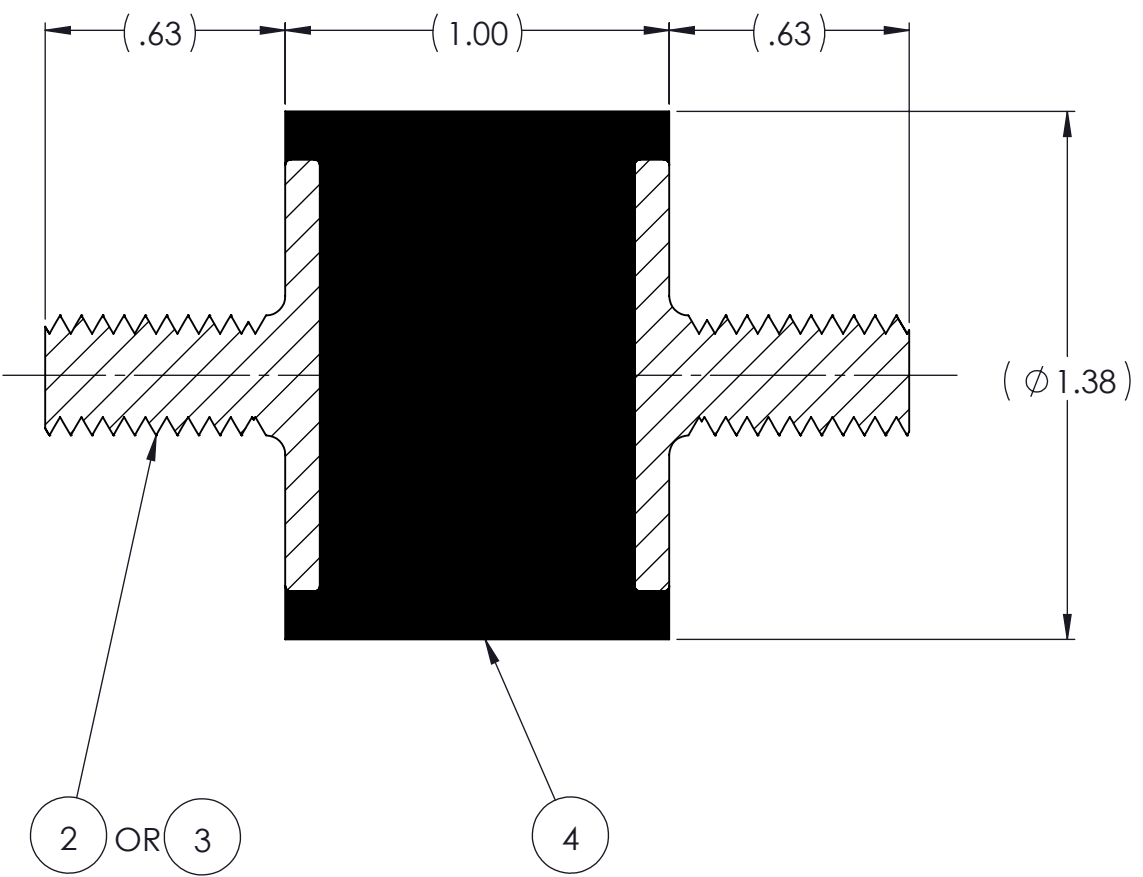
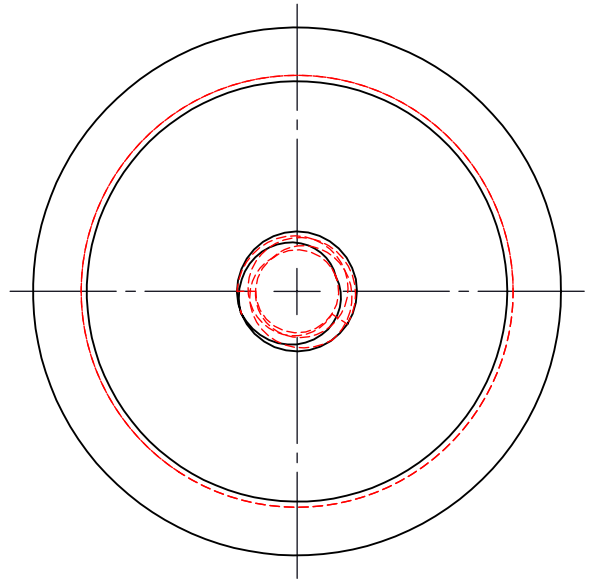
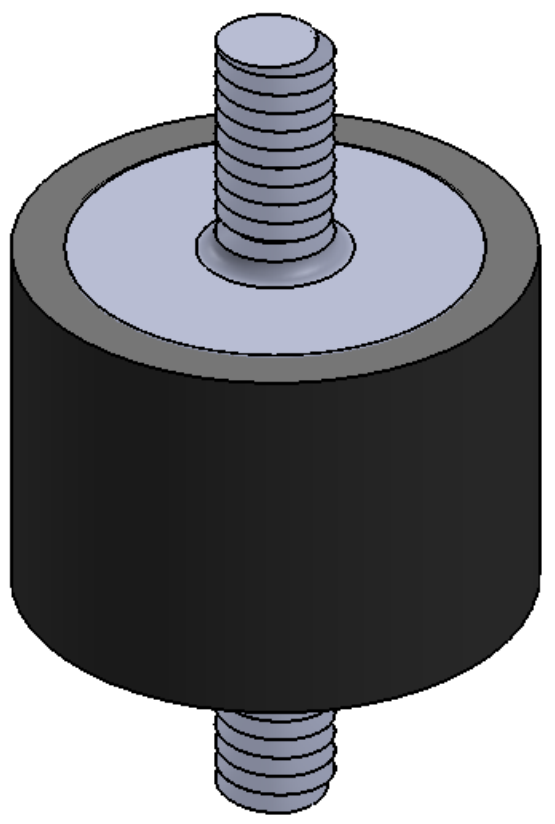


REVISIONS			
REV.	DESCRIPTION	DATE	APPROVED
1	INITIAL RELEASE OF DRAWING	8/8/2014	BS



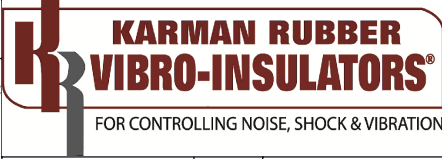
NOTES:

- 1 MATERIAL: ELASTOMER AND DUROMETER OF 40, 50, 60 OR 70 TO BE SPECIFIED.
- 2 ALL DIMENSIONS ARE REFERENCE.
- 3 AVAILABLE WITH THREADS OF 5/16-18 UNC X 5/8" AND M8 X 1.25 X 5/8".

AR	DESCRIPTION	PART NUMBER	MATERIAL OR NOTES	ITEM
	ELASTOMER	K43-4	1	4
2	MK430-M8-5/8	MK430-M8-5/8		3
2	MK430-CC	MK430-CC		2
	K43	K43		1

PROPRIETARY AND CONFIDENTIAL THE INFORMATION CONTAINED IN THIS DRAWING IS THE SOLE PROPERTY OF KARMAN RUBBER. ANY REPRODUCTION IN PART OR AS A WHOLE WITHOUT THE WRITTEN PERMISSION OF KARMAN RUBBER IS PROHIBITED.	SIGNATURE		DATE
	DRAWN	B. SENEAL	08/08/2014
	CHECK	S. BROWN	08/08/2014
	ENGR	B. SENEAL	08/08/2014
	QA		
STRESS			
APPR			

UNLESS OTHERWISE SPECIFIED:  
DIMENSIONS ARE IN INCHES  
TOLERANCES:  
.X = ± 0.031  
.XXX = ± 0.001  
ANGLES = ± 1°  
INTERPRET GEOMETRIC TOLERANCING PER: ASME Y14.5M-1994



TITLE: K43 SERIES VIBRO-INSULATOR WWW.KARMAN.COM			
SIZE: <b>B</b>	CAGE CODE	DWG. NO.: <b>K43</b>	REV: <b>1</b>
DO NOT SCALE DRAWING	SCALE: 2:1	WEIGHT: 2.0 OZ.	SHEET 1 OF 1