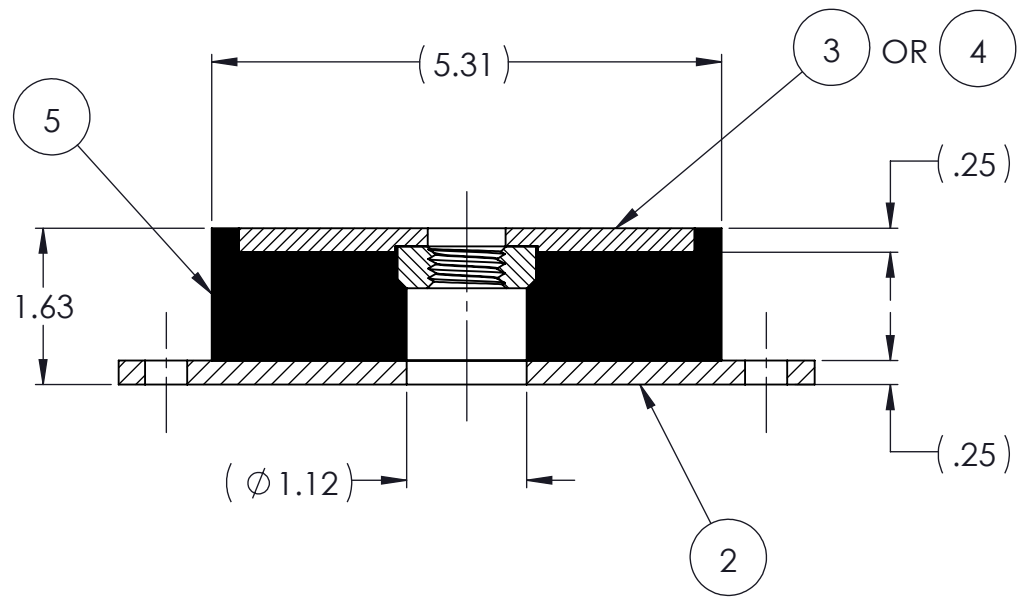
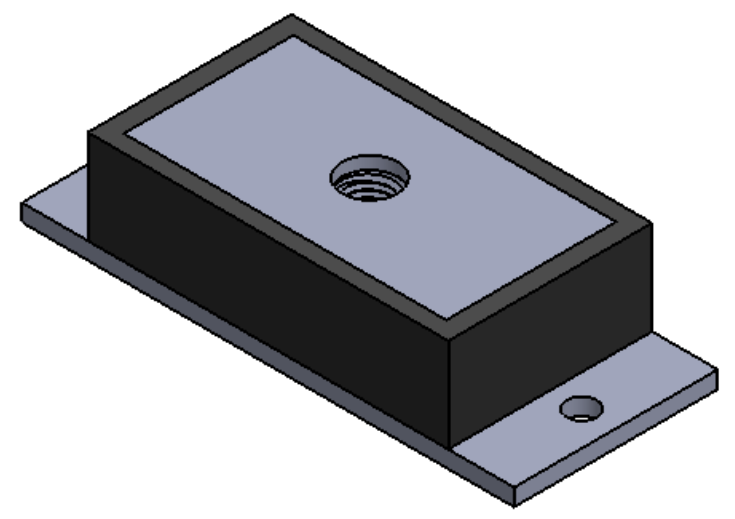
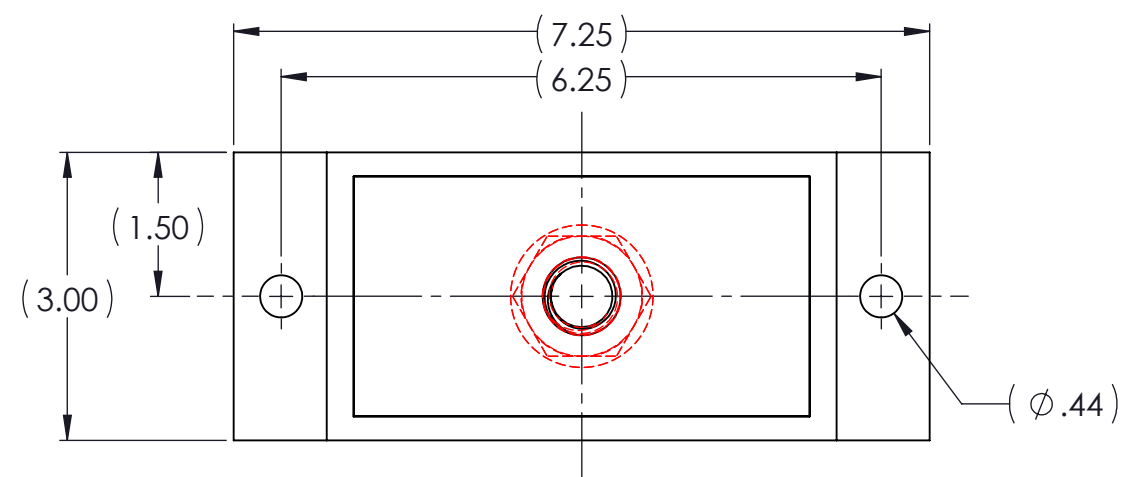


REVISIONS			
REV.	DESCRIPTION	DATE	APPROVED
1	INITIAL RELEASE OF DRAWING	9/22/2014	BS
2	CENTER HOLE IS $\phi 1.12$ , WAS $\phi 1.25$ .	10/1/2014	BS

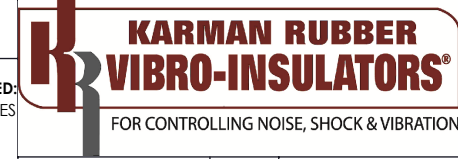


NOTES:

- 1 MATERIAL: ELASTOMER AND DUROMETER OF 40, 50, 60 OR 70 TO BE SPECIFIED.
- 2 ALL DIMENSIONS ARE REFERENCE.
- 3 AVAILABLE WITH THREADS OF 1/2-13 UNC AND 3/4-10 UNC.

PROPRIETARY AND CONFIDENTIAL		SIGNATURE	DATE	UNLESS OTHERWISE SPECIFIED: DIMENSIONS ARE IN INCHES TOLERANCES: .X = ± 0.031 .XXX = ± 0.0031 ANGLES = ± 1° INTERPRET GEOMETRIC TOLERANCING PER: ASME Y14.5M-1994
THE INFORMATION CONTAINED IN THIS DRAWING IS THE SOLE PROPERTY OF KARMAN RUBBER. ANY REPRODUCTION IN PART OR AS A WHOLE WITHOUT THE WRITTEN PERMISSION OF KARMAN RUBBER IS PROHIBITED.	DRAWN	B. SENEAL	09/22/2014	
	CHECK	S. BROWN	09/22/2014	
	ENGR	B. SENEAL	09/22/2014	
	QA			
	STRESS			
	APPR			

QTY.	DESCRIPTION	PART NUMBER	MATERIAL OR NOTES	ITEM
	AR ELASTOMER	K4-5		5
1	MK4T-C-3/4	MK4T-C-3/4		4
1	MK4T-C-1/2	MK4T-C-1/2		3
1	MK4T	MK4T		2
	K4	K4		1



TITLE: **K4 SERIES COMPRESSION MOUNT**  
[WWW.KARMAN.COM](http://WWW.KARMAN.COM)

SIZE	CAGE CODE	DWG. NO.	REV
<b>B</b>		<b>K4</b>	<b>2</b>
DO NOT SCALE DRAWING		SCALE: 1:2	WEIGHT: 2 LBS
SHEET 1 OF 1			