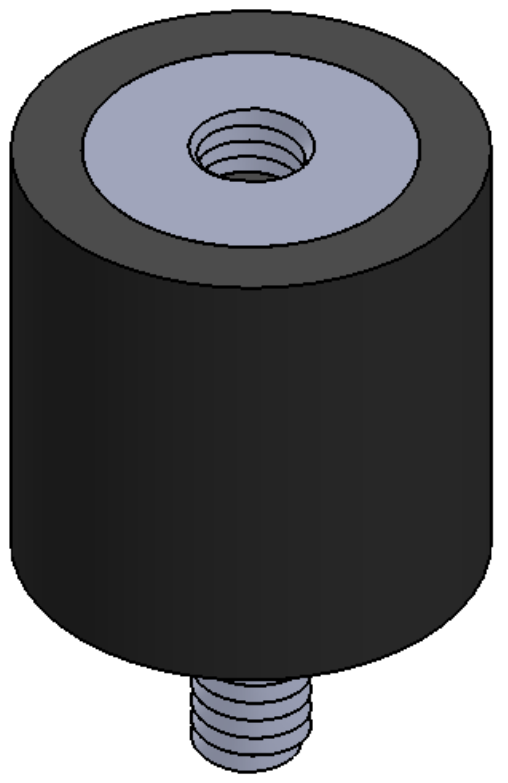
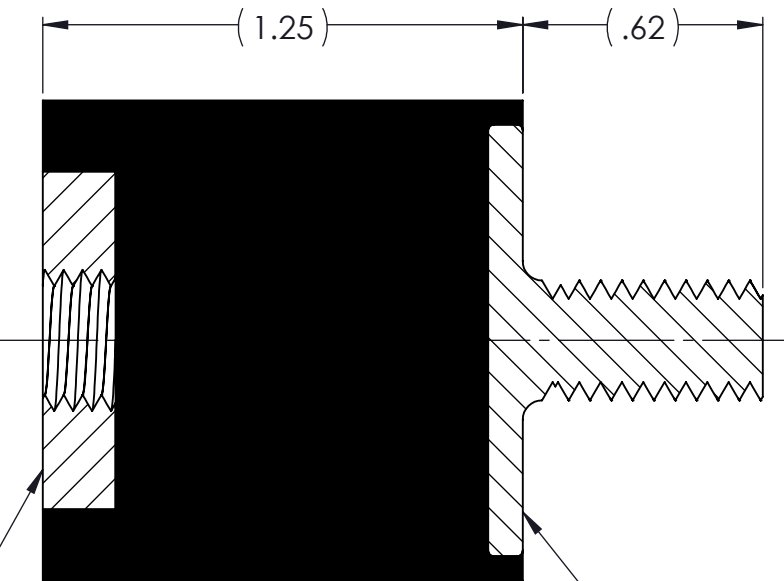
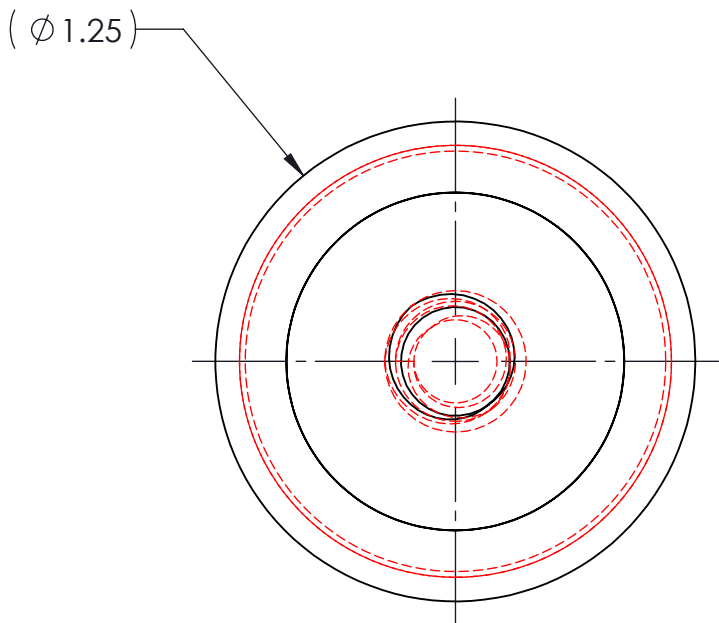


REVISIONS			
REV.	DESCRIPTION	DATE	APPROVED
1	INITIAL RELEASE OF DRAWING	8/27/2014	BS



2 OR 3

6

4 OR 5

AR	DESCRIPTION	PART NUMBER	MATERIAL OR NOTES	ITEM
	ELASTOMER	K345-6	⚠	6
1	MK430-M8-5/8	MK430-M8-5/8		5
1	MK430-CC	MK430-CC		4
1	MK400M8T	MK400M8T		3
1	MK40018T	MK40018T		2
	K345	K345		1

NOTES:

- 1 MATERIAL: ELASTOMER AND DUROMETER OF 40, 50, 60 OR 70 TO BE SPECIFIED.
- 2 ALL DIMENSIONS ARE REFERENCE.
- 3 AVAILABLE WITH THREADS OF 5/16-18 UNC AND M8 X 1.25.

PROPRIETARY AND CONFIDENTIAL		SIGNATURE	DATE
<small>THE INFORMATION CONTAINED IN THIS DRAWING IS THE SOLE PROPERTY OF KARMAN RUBBER. ANY REPRODUCTION IN PART OR AS A WHOLE WITHOUT THE WRITTEN PERMISSION OF KARMAN RUBBER IS PROHIBITED.</small>		DRAWN	B. SENECAI 08/27/2014
		CHECK	S. BROWN 08/27/2014
		ENGR	B. SENECAI 08/27/2014
		QA	
		STRESS	
		APPR	

UNLESS OTHERWISE SPECIFIED:
 DIMENSIONS ARE IN INCHES
 TOLERANCES:
 .X =
 .XX = ± 0.031
 .XXX =
 ANGLES = ± 1°
 INTERPRET GEOMETRIC TOLERANCING PER: ASME Y14.5M-1994



TITLE: **K345 SERIES VIBRO-INSULATOR**
WWW.KARMAN.COM

SIZE	CAGE CODE	DWG. NO.	REV
B		K345	1
DO NOT SCALE DRAWING		SCALE: 2:1	WEIGHT: 1.75 OZ. SHEET 1 OF 1