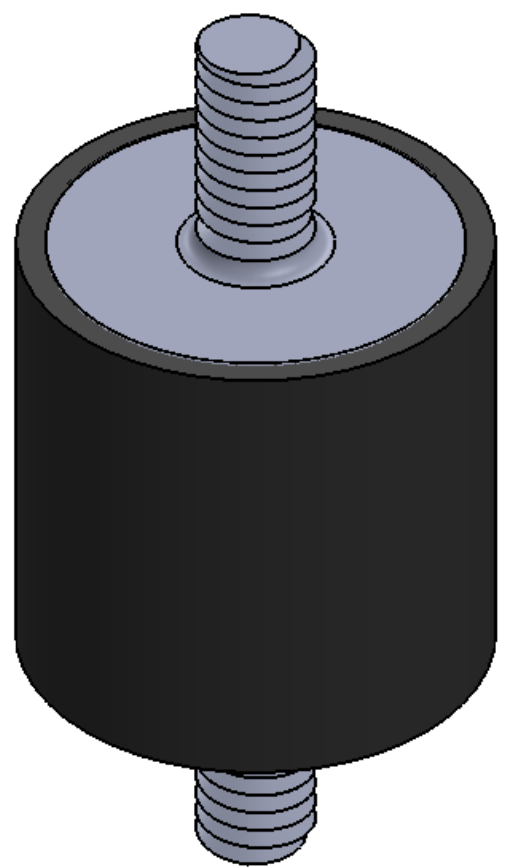
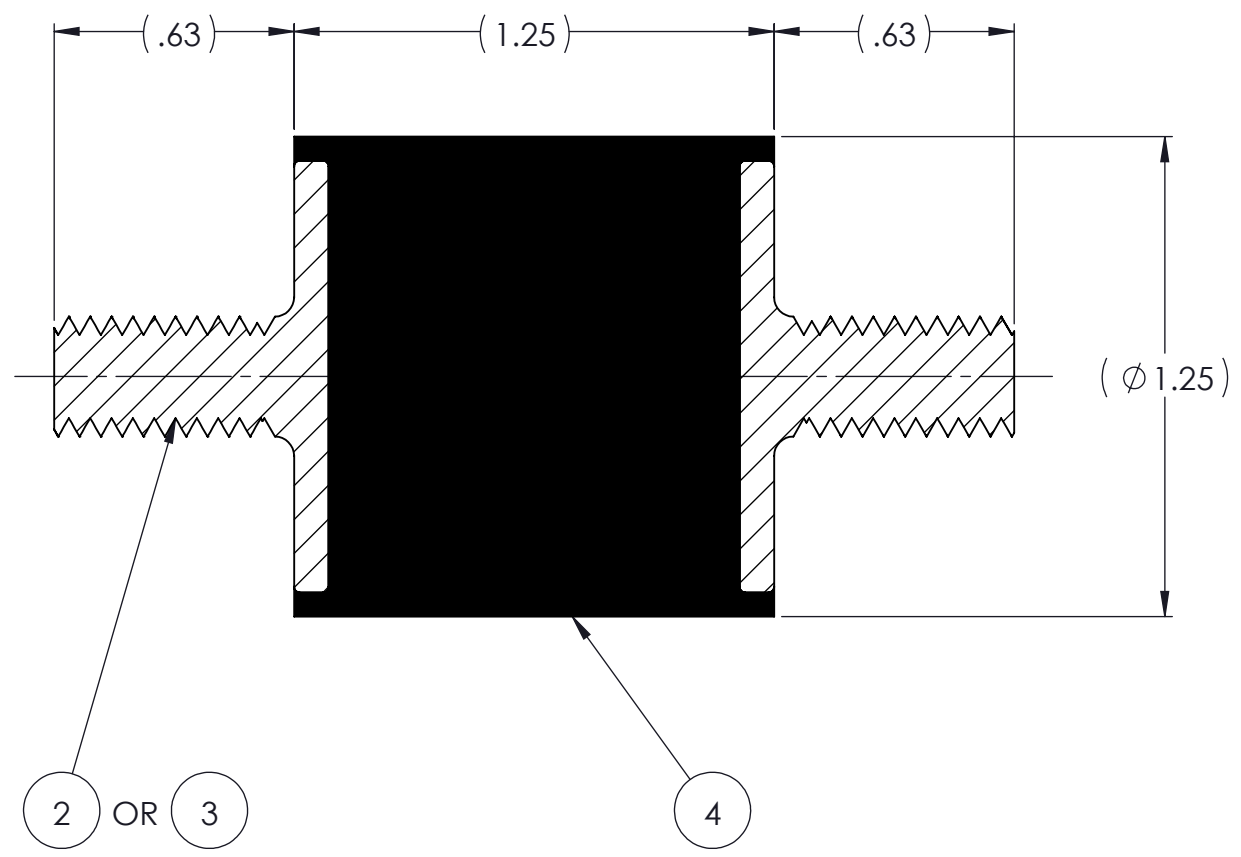
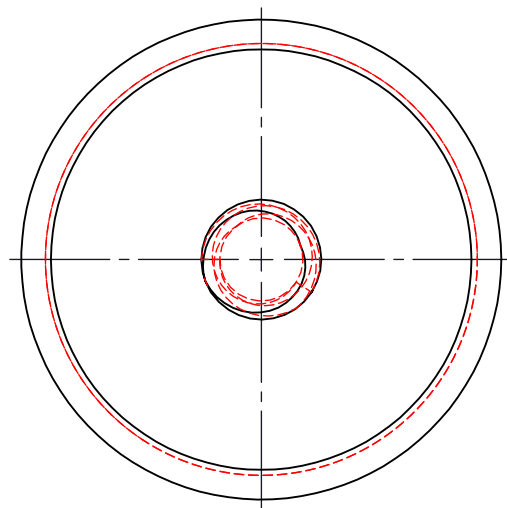


REVISIONS			
REV.	DESCRIPTION	DATE	APPROVED
1	INITIAL RELEASE OF DRAWING	8/8/2014	BS



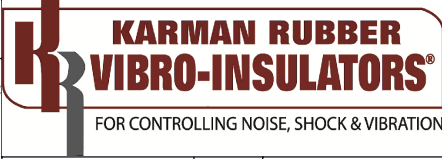
NOTES:

- 1 MATERIAL: ELASTOMER AND DUROMETER OF 40, 50, 60 OR 70 TO BE SPECIFIED.
- 2 ALL DIMENSIONS ARE REFERENCE.
- 3 AVAILABLE IN THREADS OF 5/16-18 X 5/8" AND M8 X 1.25 X 5/8".

QTY.	DESCRIPTION	PART NUMBER	MATERIAL OR NOTES	ITEM
	AR ELASTOMER	K34-4	1	4
	2 MK430-M8-5/8	MK430-M8-5/8		3
	2 MK430-CC	MK430-CC		2
	K34	K34		1

PROPRIETARY AND CONFIDENTIAL		SIGNATURE	DATE
THE INFORMATION CONTAINED IN THIS DRAWING IS THE SOLE PROPERTY OF KARMAN RUBBER. ANY REPRODUCTION IN PART OR AS A WHOLE WITHOUT THE WRITTEN PERMISSION OF KARMAN RUBBER IS PROHIBITED.	DRAWN	B. SENEAL	08/08/2014
	CHECK	S. BROWN	08/08/2014
	ENGR	B. SENEAL	08/08/2014
	QA		
	STRESS		
	APPR		

UNLESS OTHERWISE SPECIFIED:  
 DIMENSIONS ARE IN INCHES  
 TOLERANCES:  
 .X = ± 0.031  
 .XXX = ± 0.005  
 ANGLES = ± 1°  
 INTERPRET GEOMETRIC TOLERANCING PER: ASME Y14.5M-1994



TITLE: **K34 SERIES VIBRO-INSULATOR**  
[WWW.KARMAN.COM](http://WWW.KARMAN.COM)

SIZE	CAGE CODE	DWG. NO.	REV
<b>B</b>		<b>K34</b>	<b>1</b>
DO NOT SCALE DRAWING		SCALE: 2:1	WEIGHT: 1.75 OZ. SHEET 1 OF 1