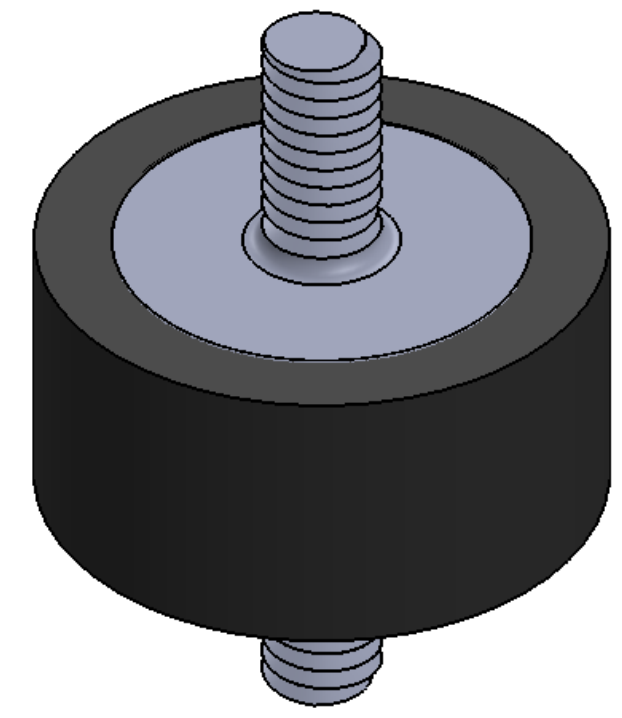
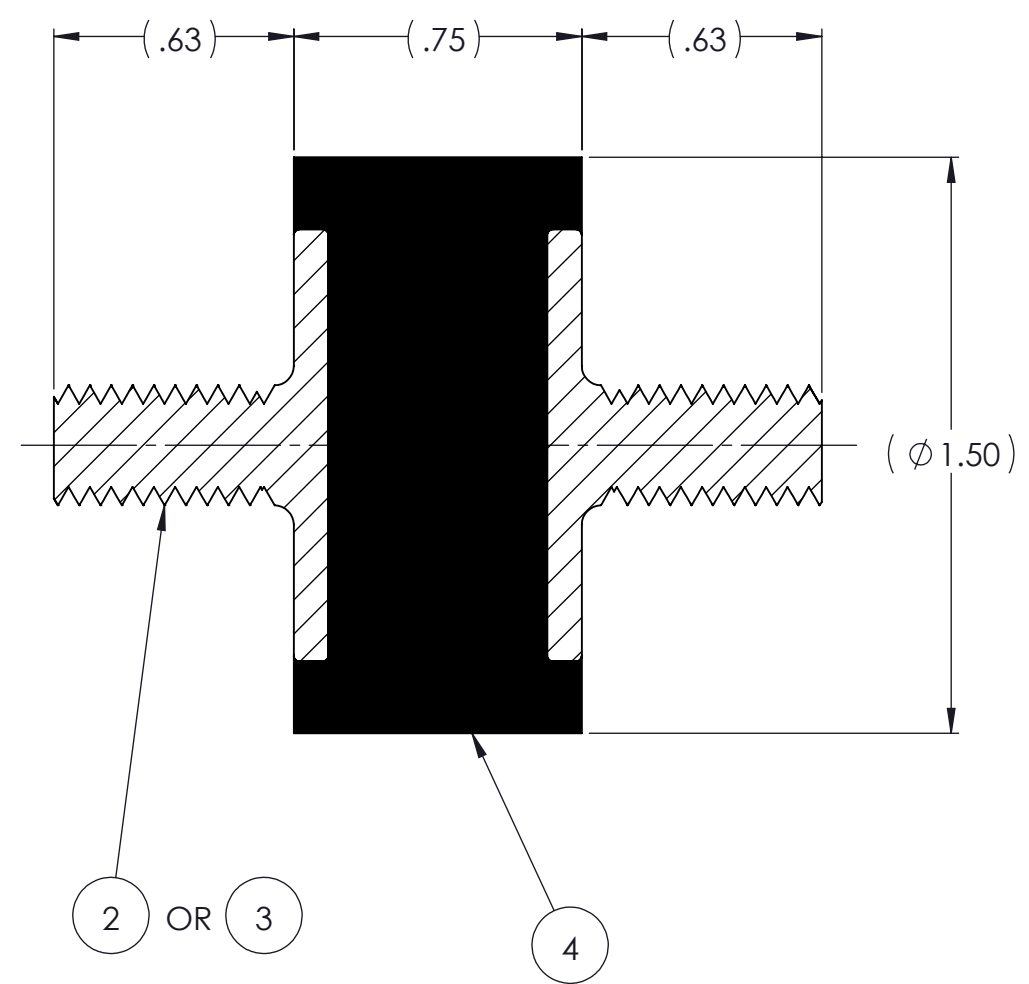
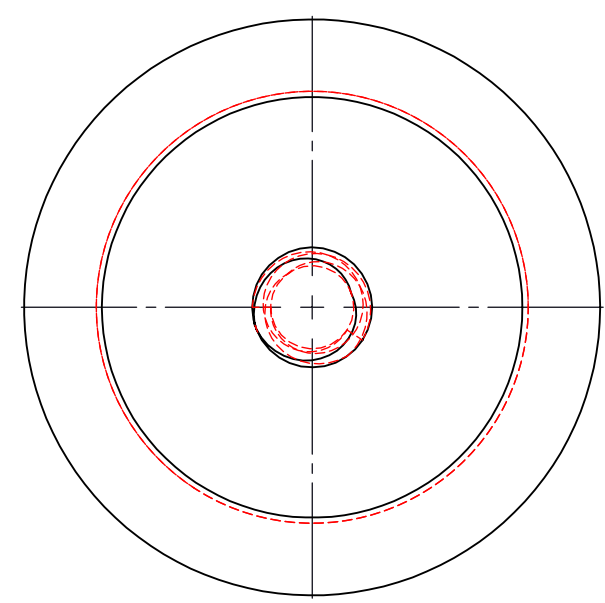


REVISIONS			
REV.	DESCRIPTION	DATE	APPROVED
1	INITIAL RELEASE OF DRAWING	8/11/2014	BS



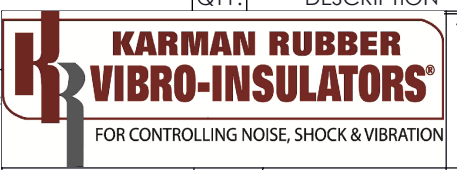
NOTES:

- 1 MATERIAL: ELASTOMER AND DUROMETER OF 40, 50, 60 OR 70 TO BE SPECIFIED.
- 2 ALL DIMENSIONS ARE REFERENCE.
- 3 AVAILABLE WITH THREADS OF 5/16-18 UNC X 5/8" AND M8 X 1.25 X 5/8".

AR	ELASTOMER	K249-4		4
2	MK430-M8-5/8	MK430-M8-5/8		3
2	MK430-CC	MK430-CC		2
	K249	K249		1
QTY.	DESCRIPTION	PART NUMBER	MATERIAL OR NOTES	ITEM

PROPRIETARY AND CONFIDENTIAL THE INFORMATION CONTAINED IN THIS DRAWING IS THE SOLE PROPERTY OF KARMAN RUBBER. ANY REPRODUCTION IN PART OR AS A WHOLE WITHOUT THE WRITTEN PERMISSION OF KARMAN RUBBER IS PROHIBITED.	SIGNATURE		DATE
	DRAWN	B. SENEAL	08/11/2014
	CHECK	S. BROWN	08/11/2014
	ENGR	B. SENEAL	08/11/2014
	QA		
STRESS			
APPR			

UNLESS OTHERWISE SPECIFIED:
 DIMENSIONS ARE IN INCHES
 TOLERANCES:
 .X = ± 0.031
 .XXX = ± 0.005
 ANGLES = ± 1°
 INTERPRET GEOMETRIC TOLERANCING PER: ASME Y14.5M-1994



TITLE: **K249 SERIES VIBRO-INSULATOR**
WWW.KARMAN.COM

SIZE	CAGE CODE	DWG. NO.	REV
B		K249	1
DO NOT SCALE DRAWING		SCALE: 2:1	WEIGHT: 2.2 OZ.
		SHEET 1 OF 1	