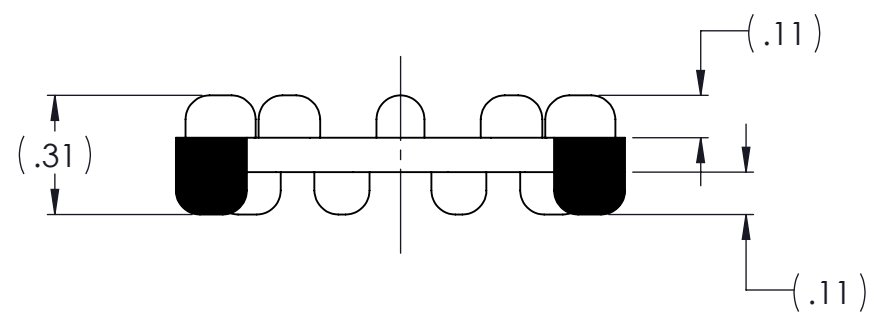
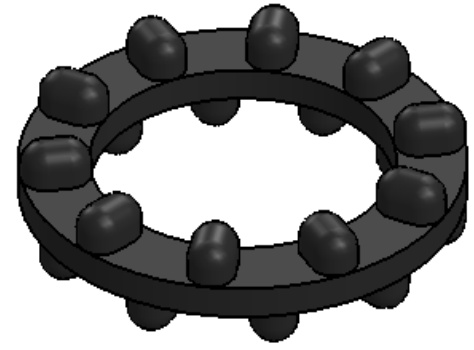
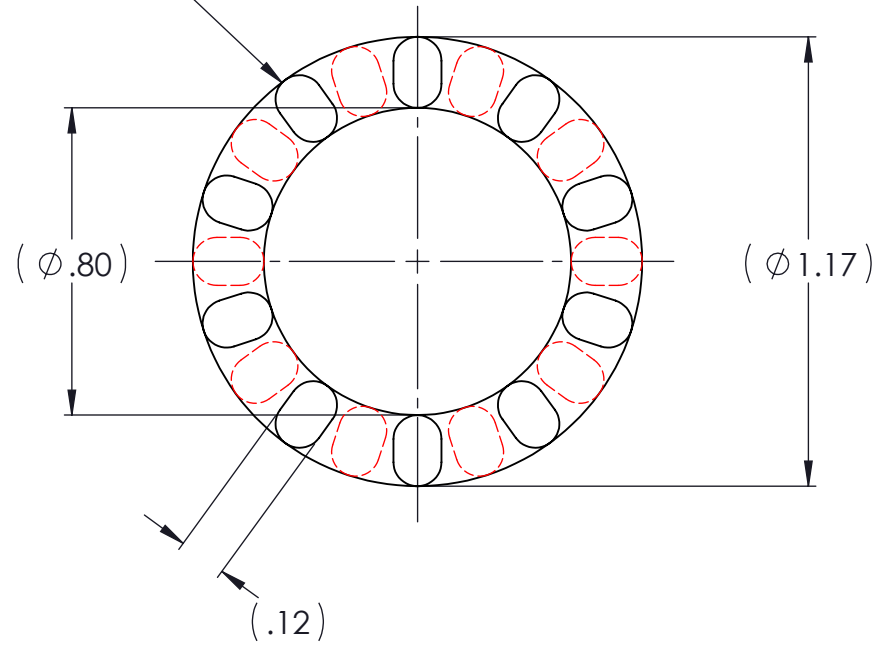


REVISIONS			
REV.	DESCRIPTION	DATE	APPROVED
1	INITIAL RELEASE OF DRAWING	11/3/2014	BS
2	ADD FINGER WIDTH DIMENSION	11/19/2014	BS
3	ADD NUMBER OF FINGERS TO NOTE	1/2/2015	BS

10 FINGERS EACH SIDE  
OUT OF PHASE



NOTES:

- 1 MATERIAL: ELASTOMER AND DUROMETER OF 30, 40, 50, 06 OR 70 TO BE SPECIFIED.
- 2 ALL DIMENSIONS ARE REFERENCE.

PROPRIETARY AND CONFIDENTIAL THE INFORMATION CONTAINED IN THIS DRAWING IS THE SOLE PROPERTY OF KARMAN RUBBER. ANY REPRODUCTION IN PART OR AS A WHOLE WITHOUT THE WRITTEN PERMISSION OF KARMAN RUBBER IS PROHIBITED.	SIGNATURE		DATE
	DRAWN	B. SENECAI	11/03/2014
	CHECK	S. BROWN	11/03/2014
	ENGR	B. SENECAI	11/03/2014
	QA		
	STRESS		
APPR			

UNLESS OTHERWISE SPECIFIED:  
DIMENSIONS ARE IN INCHES  
TOLERANCES:  
.X =  
.XX = ± 0.031  
.XXX =  
ANGLES = ± 1°  
INTERPRET GEOMETRIC TOLERANCING PER: ASME Y14.5M-1994



TITLE: K1120B SERIES VIBRO-INSULATOR  
WWW.KARMAN.COM

QTY.	DESCRIPTION	PART NUMBER	MATERIAL OR NOTES	ITEM
	K1120B	K1120B		1

SIZE	CAGE CODE	DWG. NO.	REV
<b>B</b>		K1120B	3
DO NOT SCALE DRAWING		SCALE: 2:1	WEIGHT: N/A
			SHEET 1 OF 1