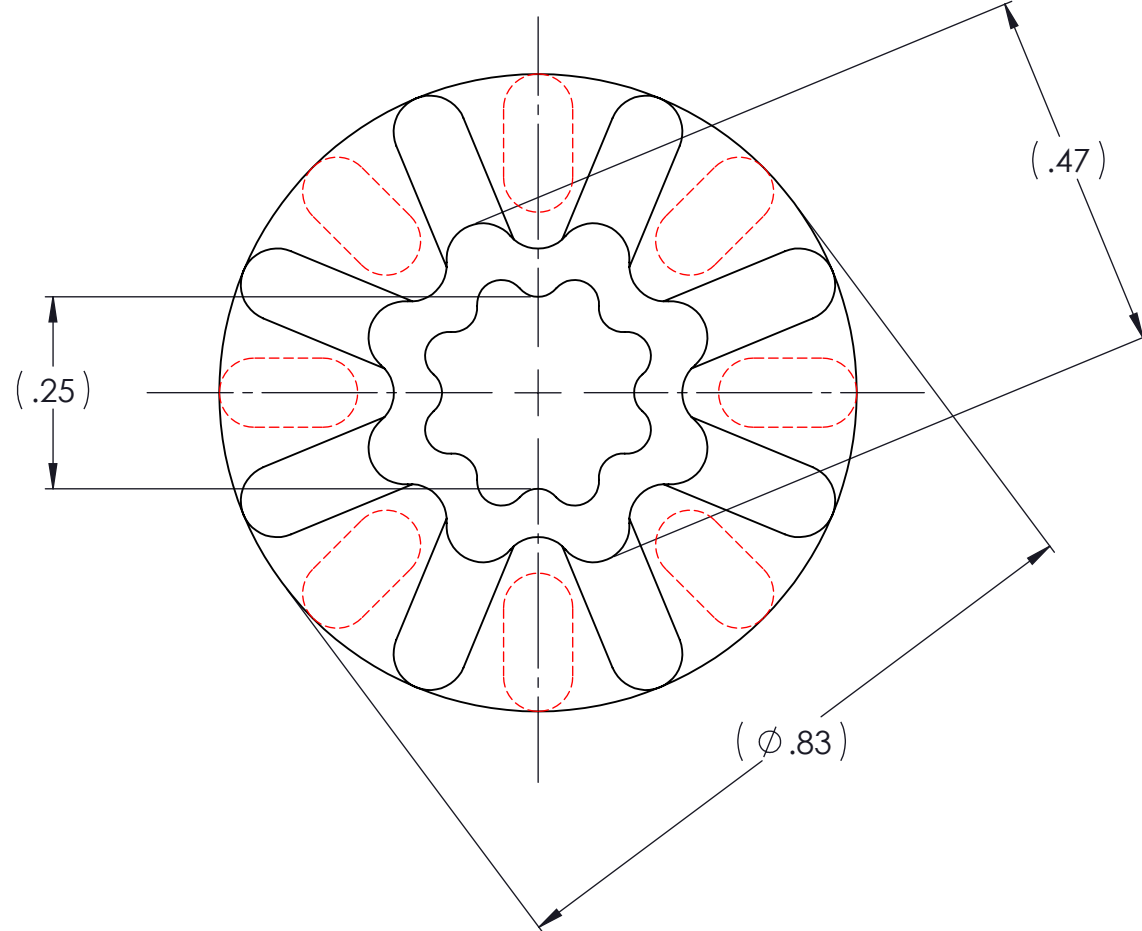
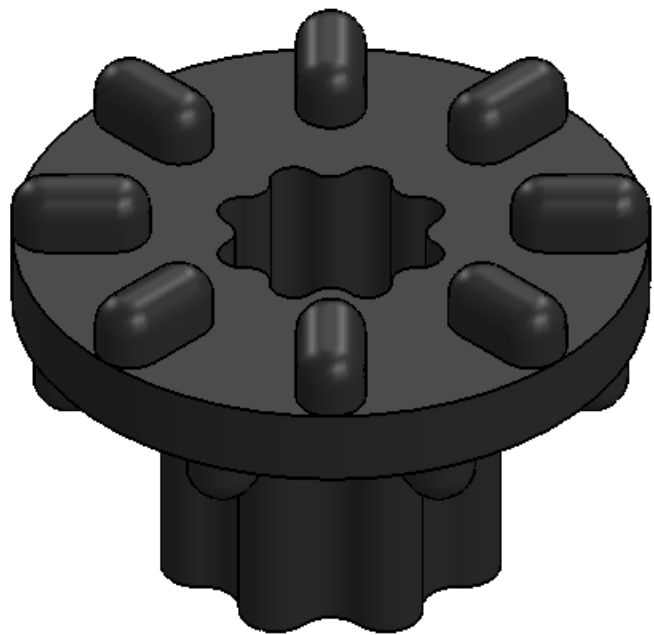
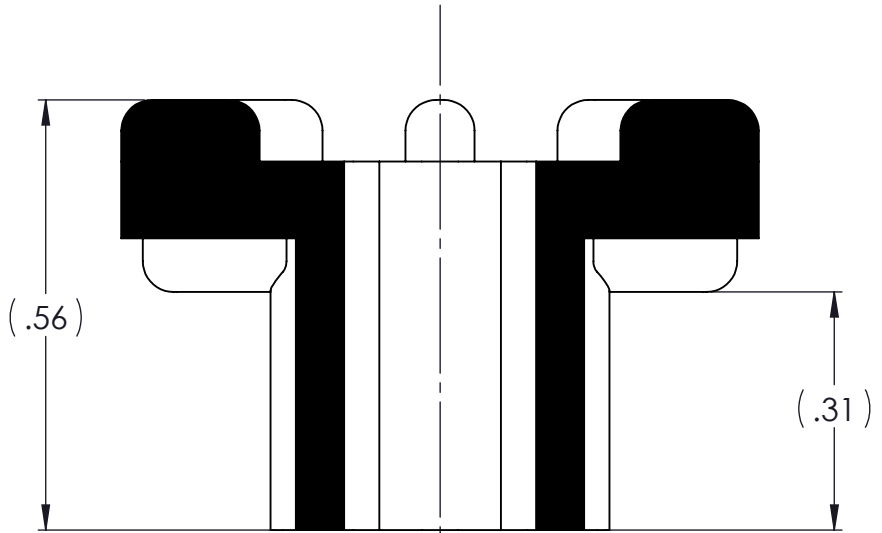


REVISIONS			
REV.	DESCRIPTION	DATE	APPROVED
1	INITIAL RELEASE OF DRAWING	10/31/2014	BS



NOTES:

- 1 MATERIAL: ELASTOMER AND DUROMETER OF 30, 40, 50, 60 OR 70 TO BE SPECIFIED.
- 2 ALL DIMENSIONS ARE REFERENCE.

PROPRIETARY AND CONFIDENTIAL THE INFORMATION CONTAINED IN THIS DRAWING IS THE SOLE PROPERTY OF KARMAN RUBBER. ANY REPRODUCTION IN PART OR AS A WHOLE WITHOUT THE WRITTEN PERMISSION OF KARMAN RUBBER IS PROHIBITED.	SIGNATURE		DATE
	DRAWN	B. SENECAI	10/31/2014
	CHECK	S. BROWN	10/31/2014
	ENGR	B. SENECAI	10/31/2014
	QA		
	STRESS		
APPR			

UNLESS OTHERWISE SPECIFIED:  
DIMENSIONS ARE IN INCHES  
TOLERANCES:  
.X =  
.XX = ± 0.031  
.XXX =  
ANGLES = ± 1°  
INTERPRET GEOMETRIC TOLERANCING PER: ASME Y14.5M-1994



TITLE: **K1110A SERIES VIBRO-INSULATOR**  
[WWW.KARMAN.COM](http://WWW.KARMAN.COM)

QTY.	DESCRIPTION	PART NUMBER	MATERIAL OR NOTES	ITEM
	K1110A	K1110A		1

SIZE	CAGE CODE	DWG. NO.	REV
<b>B</b>		<b>K1110A</b>	<b>1</b>

DO NOT SCALE DRAWING SCALE: 4:1 WEIGHT: N/A SHEET 1 OF 1